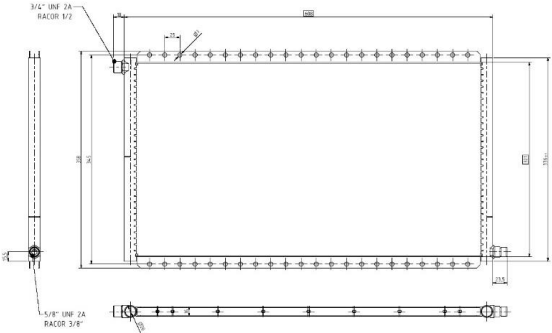
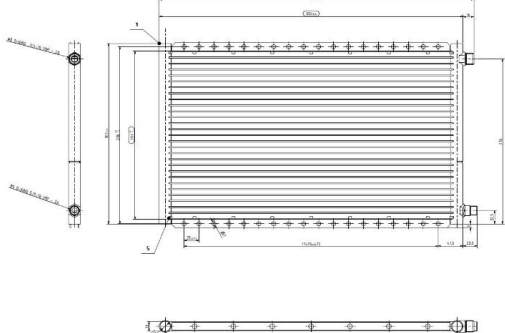


MODEL Modelo	PART NO. Referencia	PASSES Pasos	HEIGHT Alto	LENGTH Largo	WIDTH Ancho	CONNECTION TYPE Tipo de conexión	
Tripac	T11003	3	358	608	16	Flange	
Tripac	T11005	2	309	508	16	Flange	
Tripac	T11006	2	309	608	16	Flange	
Tripac	T11054	2	360	608	16	Flange	
MODEL Modelo	PART NO. Referencia	PASSES Pasos	HEIGHT Alto	LENGTH Largo	WIDTH Ancho	INLET CONNECTION Conexión entrada	OUTLET CONNECTION Conexión salida
Harrison	T11052	3	358	608	16	1/2"	3/8"
Harrison	T11057	2	281	508	16	1/2"	3/8"
Sanden	T11001	4	361	623	16	3/8"	3/8"
Sanden	T11002	4	361	703	16	1/2"	3/8"
Sanden	T11050	4	361	680	16	1/2"	3/8"
Sanden	T11051	4	361	460	16	1/2"	3/8"
Sanden	T11053	4	312	540	25	1/2"	3/8"
Sanden	T11056	4	405	500	16	1/2"	3/8"
Sanden	T11058	4	360	580	16	1/2"	3/8"

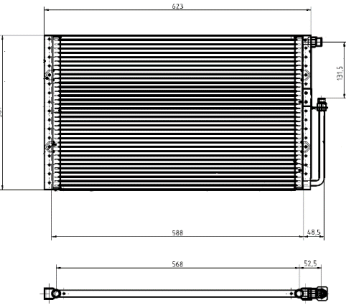
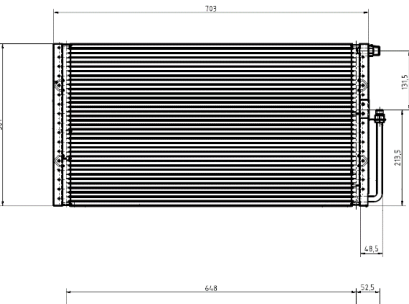
TRIPAC

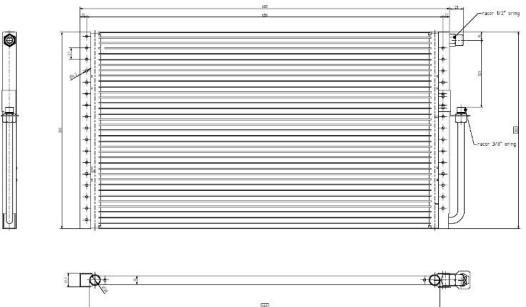
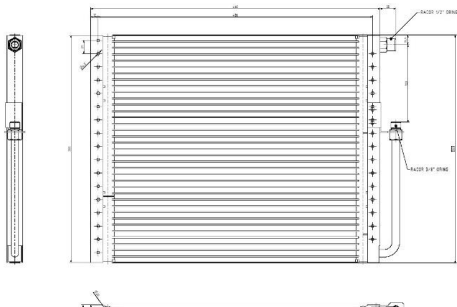
Climetal Part No.	T11003	Passes	3	Climetal Part No.	T11005	Passes	2
Dimensions	358x608x16			Dimensions	309x508x16		
Connection	Flange			Connection	Flange		
Climetal Part No.	T11006	Passes	2	Climetal Part No.	T11054	Passes	2
Dimensions	309x608x16			Dimensions	360x608x16		
Connection	Flange			Connection	Flange		

HARRISON

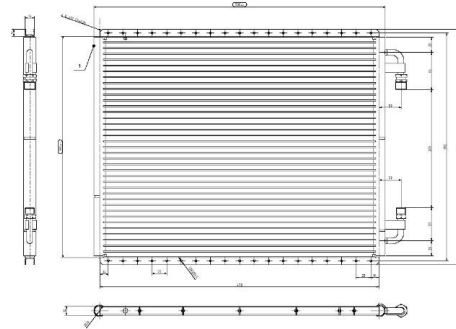
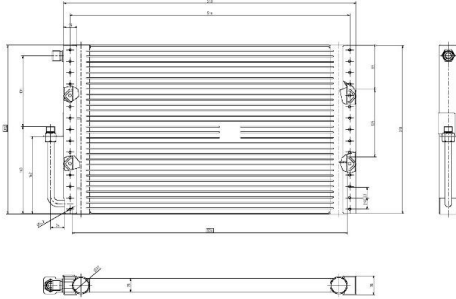
							
Climetal Part No.	T11052	Inlet Connection	1/2"	Climetal P/N	T11057	Inlet connection	1/2"
Dimensions	358x608x16	Outlet Connection	3/8"	Core dimensions	281X508X16	Outlet connection	3/8"
Passes	3			Pass arrangement	2		

SANDEN

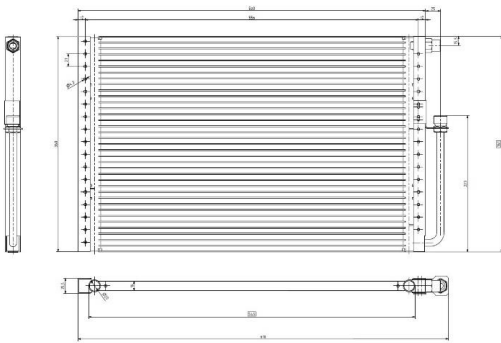
							
Climetal Part No.	T11001	Inlet Connection	3/8"	Climetal Part No.	T11002	Inlet Connection	1/2"
Dimensions	361x623x16	Outlet Connection	3/8"	Dimensions	361x703x16	Outlet Connection	3/8"
Passes	4			Passes	4		

							
Climetal Part No.	T11050	Inlet Connection	1/2"	Climetal Part No.	T11051	Inlet Connection	1/2"
Dimensions	361x680x16	Outlet Connection	3/8"	Dimensions	361x460x16	Outlet Connection	3/8"
Passes	4			Passes	4		

SANDEN



Climetal Part No.	T11053	Inlet Connection	1/2"	Climetal Part No.	T11056	Inlet Connection	1/2"
Dimensions	312x540x25	Outlet Connection	3/8"	Dimensions	405x500x16	Outlet Connection	3/8"
Passes	4			Passes	4		



Climetal P/N	T11058	Inlet connection	1/2"
Core dimensions	360X580X16	Outlet connection	3/8"
Pass arrangement	4		